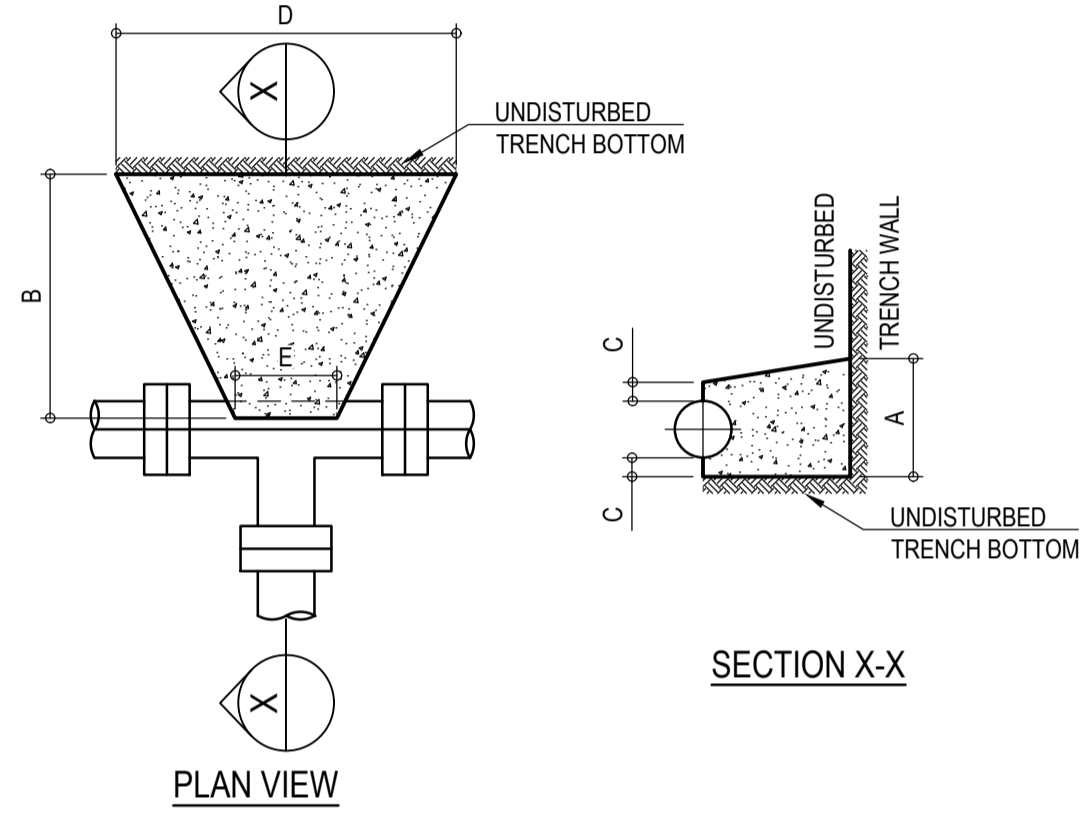
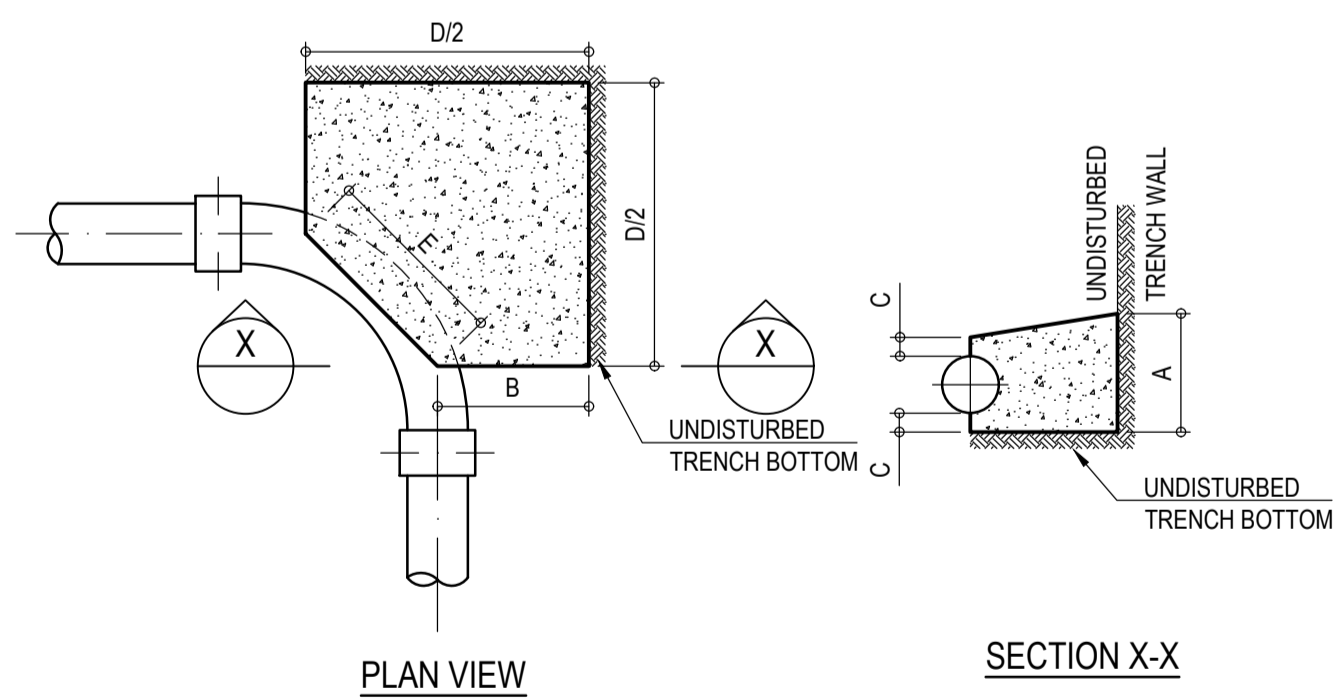


| DIAMETER | A | B | C | D | E |
|--|-----|-----|----|------|-----|
| 75 x 75 | 300 | 500 | 50 | 300 | 150 |
| 90 x 90 x 75 | 350 | 500 | 50 | 350 | 175 |
| 110 x 110 x 90 x 75 | 500 | 500 | 50 | 650 | 325 |
| 160 x 160 x 110 x 90 x 75 | 600 | 600 | 50 | 650 | 325 |
| 200 x 200 x 160 x 110 x 90 x 75 | 600 | 600 | 50 | 950 | 475 |
| 250 x 250 x 200 x 160 x 110 x 90 x 75 | 600 | 600 | 75 | 1500 | 750 |



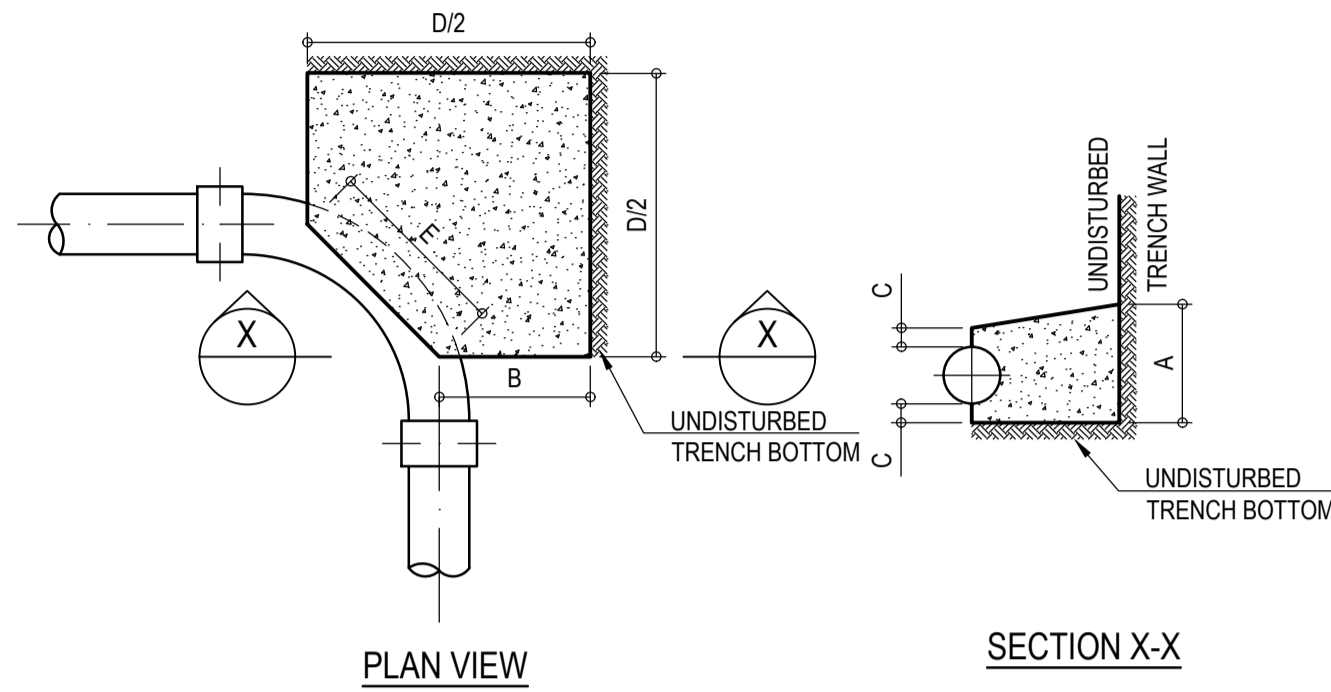
TEE THRUST BLOCK:
CLASS 12 - TEST PRESSURE 1,8MPa
SCALE 1:20

| DIAMETER | A | B | C | D | E |
|----------|-----|------|----|------|------|
| 75 | 350 | 350 | 50 | 700 | 495 |
| 90 | 400 | 400 | 50 | 800 | 565 |
| 110 | 500 | 500 | 50 | 1000 | 710 |
| 160 | 600 | 850 | 50 | 1700 | 1205 |
| 200 | 600 | 1300 | 50 | 2600 | 1840 |
| 250 | 600 | 2000 | 75 | 4000 | 2830 |



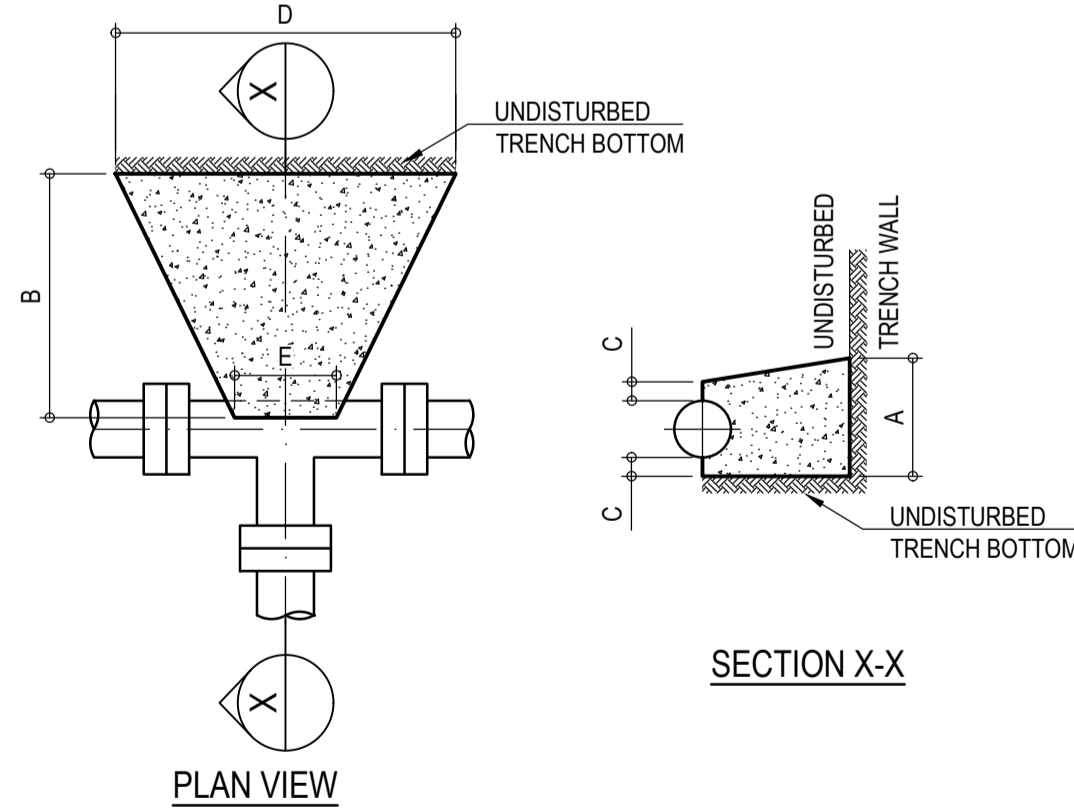
90° THRUST BLOCK:
CLASS 16 - TEST PRESSURE 2,4MPa
SCALE 1:20

| DIAMETER | A | B | C | D | E |
|----------|-----|------|----|------|------|
| 75 | 300 | 300 | 50 | 600 | 850 |
| 90 | 350 | 350 | 50 | 700 | 990 |
| 110 | 450 | 450 | 50 | 900 | 640 |
| 160 | 600 | 650 | 50 | 1300 | 920 |
| 200 | 600 | 950 | 50 | 1900 | 1345 |
| 250 | 600 | 1500 | 75 | 3000 | 2125 |



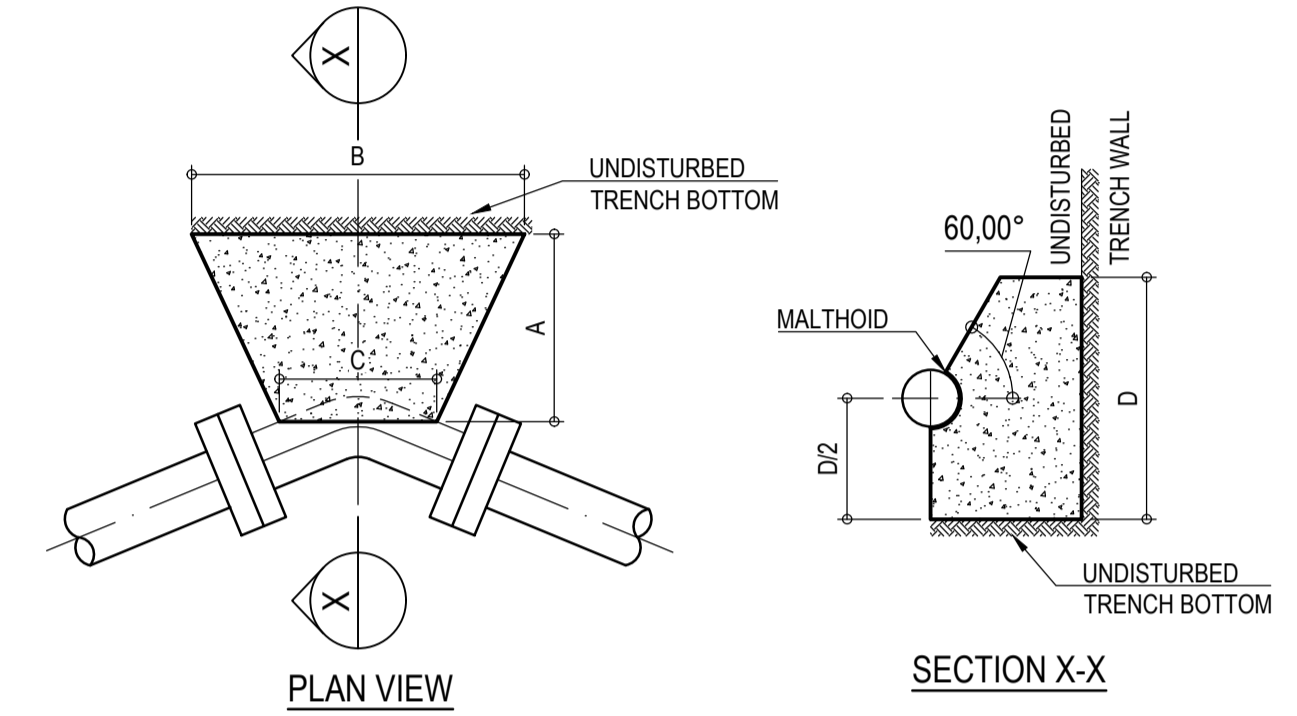
90° THRUST BLOCK:
CLASS 12 - TEST PRESSURE 1,8MPa
SCALE 1:20

| DIAMETER | A | B | C | D | E |
|--|-----|-----|----|------|-----|
| 75 x 75 | 300 | 300 | 50 | 350 | 275 |
| 90 x 90 x 75 | 400 | 300 | 50 | 400 | 290 |
| 110 x 110 x 90 x 75 | 500 | 325 | 50 | 500 | 310 |
| 160 x 160 x 110 x 90 x 75 | 600 | 375 | 50 | 850 | 360 |
| 200 x 200 x 160 x 110 x 90 x 75 | 600 | 400 | 50 | 1300 | 400 |
| 250 x 250 x 200 x 160 x 110 x 90 x 75 | 600 | 425 | 75 | 2000 | 450 |



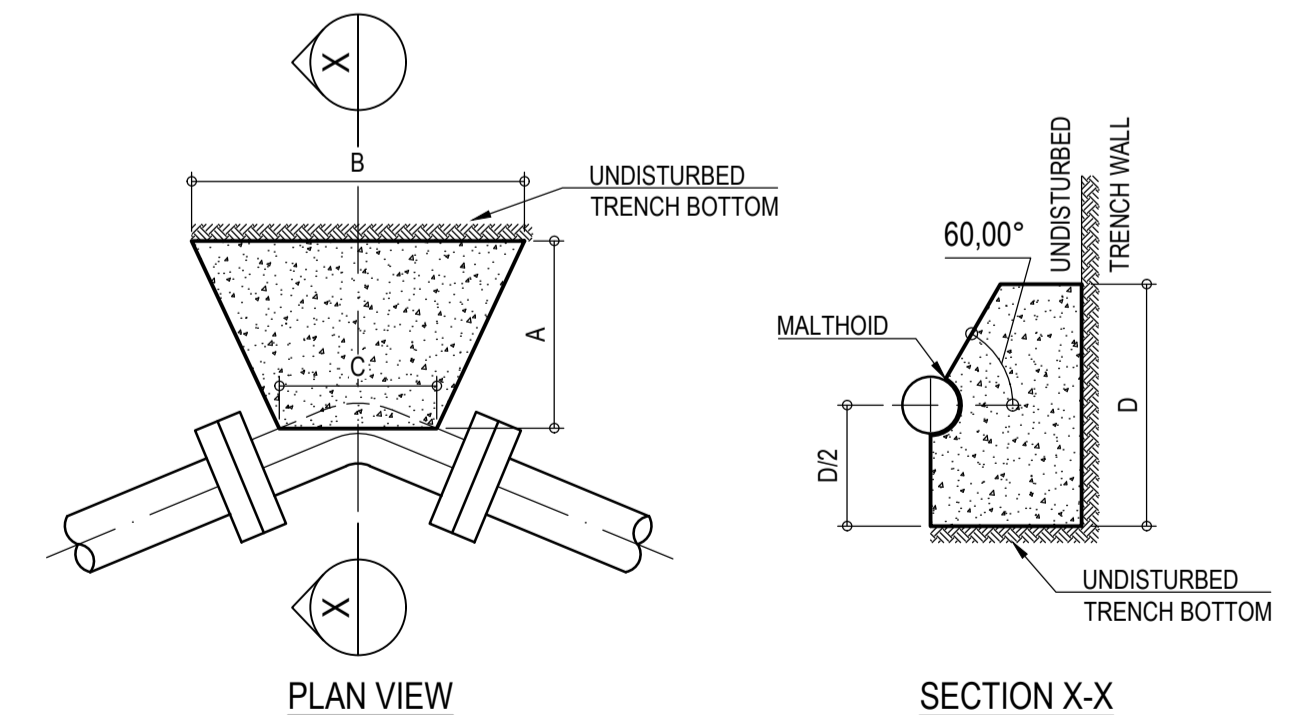
TEE THRUST BLOCK:
CLASS 16 - TEST PRESSURE 2,4MPa
SCALE 1:20

| DIAMETER | ANGLE | A | B | C | D |
|----------|------------|------|-----|-----|-----|
| 75 | 1/4° 11.25 | 500 | 250 | 125 | 250 |
| 90 | | 500 | 250 | 125 | 250 |
| 110 | | 500 | 250 | 125 | 250 |
| 160 | | 500 | 300 | 150 | 300 |
| 200 | | 500 | 350 | 175 | 350 |
| 250 | 500 | 450 | 225 | 450 | |
| 75 | 1/2° 22.5 | 500 | 250 | 125 | 250 |
| 90 | | 500 | 250 | 125 | 250 |
| 110 | | 500 | 300 | 150 | 300 |
| 160 | | 500 | 400 | 200 | 400 |
| 200 | | 500 | 500 | 250 | 500 |
| 250 | 600 | 600 | 300 | 600 | |
| 75 | 45° | 500 | 250 | 125 | 250 |
| 90 | | 500 | 300 | 150 | 300 |
| 110 | | 500 | 400 | 200 | 400 |
| 160 | | 550 | 550 | 225 | 550 |
| 200 | | 600 | 750 | 375 | 600 |
| 250 | 600 | 1150 | 575 | 600 | |



45°, 22.5° AND 11.25 THRUST BLOCK:
CLASS 12 - TEST PRESSURE 1,8MPa
SCALE 1:20

| DIAMETER | ANGLE | A | B | C | D |
|----------|------------|------|------|-----|-----|
| 75 | 1/4° 11.25 | 500 | 250 | 125 | 250 |
| 90 | | 500 | 250 | 125 | 250 |
| 110 | | 500 | 250 | 125 | 250 |
| 160 | | 500 | 350 | 175 | 350 |
| 200 | | 500 | 400 | 200 | 400 |
| 250 | 500 | 500 | 250 | 500 | |
| 75 | 1/2° 22.5 | 500 | 250 | 125 | 250 |
| 90 | | 500 | 250 | 125 | 250 |
| 110 | | 500 | 300 | 150 | 300 |
| 160 | | 500 | 450 | 250 | 450 |
| 200 | | 550 | 550 | 275 | 550 |
| 250 | 600 | 800 | 400 | 600 | |
| 75 | 45° | 500 | 300 | 150 | 300 |
| 90 | | 500 | 350 | 175 | 350 |
| 110 | | 500 | 450 | 225 | 450 |
| 160 | | 600 | 650 | 325 | 600 |
| 200 | | 600 | 1000 | 500 | 600 |
| 250 | 600 | 1550 | 500 | 600 | |



45°, 22.5° AND 11.25 THRUST BLOCK:
CLASS 16 - TEST PRESSURE 2,4MPa
SCALE 1:20



VHEMBE DISTRICT MUNICIPALITY
PRIVATE BAG X 5006
THOHOYANDOU
LIMPOPO
0950
TEL: 015 960 2000

© Conceptual Engineers (Pty)Ltd All Rights Reserved.

This document is produced solely for the benefit of and use by the client in accordance with the terms of the retainer. Conceptual Engineers does not and shall not assume any responsibility or liability whatsoever to any third party arising out of any use or reliance by third party on the content of this document.



CONCEPTUAL ENGINEERS (Pty) Ltd
Rhodesdrift Office Park
23 Rhodesdrift Road, Bendor
Polokwane 0699
Tel:
Email:

Drawn: TM
Checked: JN
Designed: TM
Verified: JC
Approved:
SN

Date: _____
Client: **VHEMBE DISTRICT MUNICIPALITY**
Project: **CONSULTANT FOR NANDONI RWS (CONSTRUCTION OF BULK WATER SUPPLY PIPELINE, STORAGE RESERVOIR, GRAVITY MAIN AND CONNECTION TO EXISTING SYSTEM AT MPHAMBO, MPHAMBO EXTENSION, XIGAMANE, AND MUSWANE VILLAGES)**
Title: **TYPICAL TRUST BLOCK BENDS DETAILS**

Status: INFORMATION TENDER CONSTRUCTION AS-BUILT
Date: 28-08-2025
Scale: AS SHOWN
Size: A1
Drawing Number: **175-PH2-WAT-100**
Revision: 00

| Rev. | Date | Description | Des. | Verif. | Appd. |
|------|------------|------------------------|------|--------|-------|
| A | 28/03/2025 | ISSUED FOR INFORMATION | | | |